

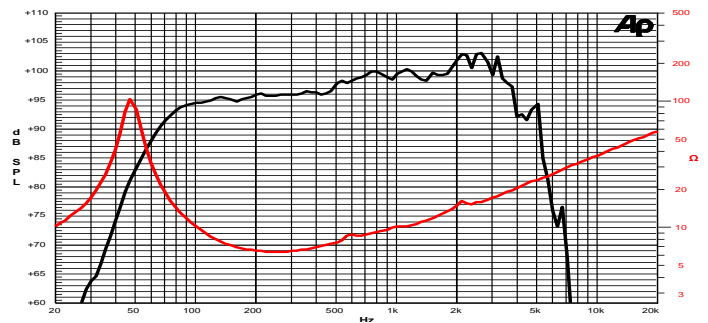
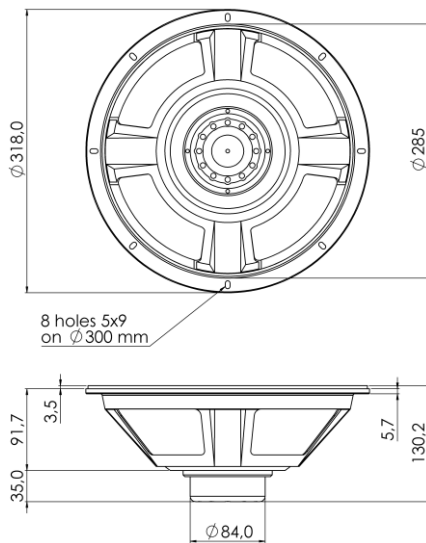
## 12 L1 2,5 SL 8Ω

12" | 600 W

Code Z007903

Professional

- 2,5" voice coil Kapton former
- Konex Spider
- Neodymium Magnet Circuit
- VMVc Ventilated Magnet and Voice Coil to reduce Power Compression
- 97.3 dB sensitivity
- Frequency Range 50-3000 Hz



Frequency Response on 45 Lt @ 55 Hz Vented Box @ 1W, 1m  
Free Air Impedance

### General Specifications

Nominal Diameter	318 mm (12")
Nominal Impedance	8 Ω
Rated Power AES <sup>(1)</sup>	300 W
Continuous Program Power <sup>(2)</sup>	600 W
Sensitivity @ 1W/1m <sup>(3)</sup>	97.3 dB
Voice Coil Diameter	65 mm (2,5")
Voice Coil Winding Depth	14 mm
Magnetic Gap Depth	8 mm
Flux Density	1.15 T
Magnet Weight	220 g
Net Weight	2.3 kg

### Thiele & Small Parameters <sup>(4)</sup>

$R_e$	5.5 Ω	$F_s$	47.5 Hz
$Q_{ms}$	7.50	$Q_{es}$	0.38
$Q_{ts}$	0.36	$M_{ms}$	47.0 g
$C_{ms}$	239 μm/N	$B_{xl}$	14.20 Tm
$V_{as}$	81.8 l	$S_d$	490.9 cm <sup>2</sup>
$X_{max}^{(5)}$	+/-3.7 mm	$X_{var}^{(6)}$	+/-6.0 mm
$\eta_0$	2.21 %	$L_e$ (1kHz)	0.75 mH

### Constructive Characteristics

Magnet	Neodymium
Basket Material	Pressed Sheet Steel
Voice Coil Winding Material	Copper
Voice Coil Former Material	Kapton
Cone Material	Paper
Cone Treatment	No
Surround Material	Treated Cloth
Dust Dome Material	Solid Paper

### Mounting Information

Overall Diameter	318 mm
Baffle Cutout Diameter	287 mm
Mounting Holes	8 holes 5x9 on ø300 mm
Total Depth	130.2 mm

<sup>(1)</sup> Rated Power measured with 2-hour test with pink noise signal, 6dB crest factor, loudspeaker in free air, power calculated on rated Zmin. <sup>(2)</sup> Power on Continuous Program is defined as 3dB greater than the Rated Power. <sup>(3)</sup> Calculated by Thiele & Small parameters, for SPL average in box refer to frequency response. <sup>(4)</sup> Thiele & Small parameters measured with laser system after preconditioning test. <sup>(5)</sup> Measured with respect to a THD of 10%. <sup>(6)</sup> Value corresponding to a decay of the Force Factor, or Compliance, or both, equal to the 50% of the small signal value. <sup>(7)</sup> Drawing dimensions: mm.