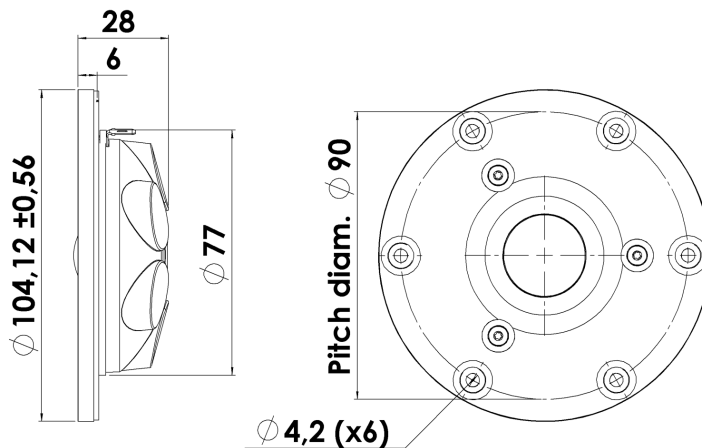




TWEETER

D3004/660000

The Illuminator tweeters stand for superb vocal rendition and excellent imaging at all listening locations. Its large roll surround and textile dome diaphragm provides a flat frequency response to above 30KHz with outstanding off-axis dispersion. The unique AirCirc Magnet System, and its rear chamber, results in elimination of reflections and resonances that compromise the performance of traditional motors.



KEY FEATURES:

- 1" Textile Dome Diaphragm
- Patented Symmetrical Drive (SD-2) motor
- Die Cast Rubber Painted Alu Face Plate
- Large Roll Surround f. Wide Dispersion
- AirCirc Motor Design w. 6 Neo magnets

T-S Parameters

| | |
|-------------------------------|-------------------|
| Resonance frequency [fs] | 470 Hz |
| Mechanical Q factor [Qms] | 3.00 |
| Electrical Q factor [Qes] | 0.59 |
| Total Q factor [Qts] | 0.49 |
| Force factor [Bl] | 2.3 Tm |
| Mechanical resistance [Rms] | 0.3 kg/s |
| Moving mass [Mms] | 0.35 g |
| Suspension compliance [Cms] | 0.33 mm/N |
| Effective diaph. diameter [D] | 30 mm |
| Effective piston area [Sd] | 7 cm ² |
| Equivalent volume [Vas] | 0.02 l |
| Sensitivity (2.83V/1m) | 91.5 dB |
| Ratio Bl/√Re | 1.33 N/√W |
| Ratio fs/Qts | 959 Hz |

Notes:

IEC specs. refer to IEC 60268-5 third edition.
All Scan-Speak products are RoHS compliant.
Data are subject to change without notice.
Datasheet updated: February 22, 2011.

Electrical Data

| | |
|----------------------------|---------|
| Nominal impedance [Zn] | 4 Ω |
| Minimum impedance [Zmin] | 3.5 Ω |
| Maximum impedance [Zo] | 18.4 Ω |
| DC resistance [Re] | 3 Ω |
| Voice coil inductance [Le] | 0.03 mH |

Power Handling

| | |
|---------------------------------|-------|
| 100h RMS noise test (IEC 17.1)* | 90 W |
| Long-term max power (IEC 17.3)* | 150 W |

*Filter: 2. order HP Butterworth, 2.5 kHz

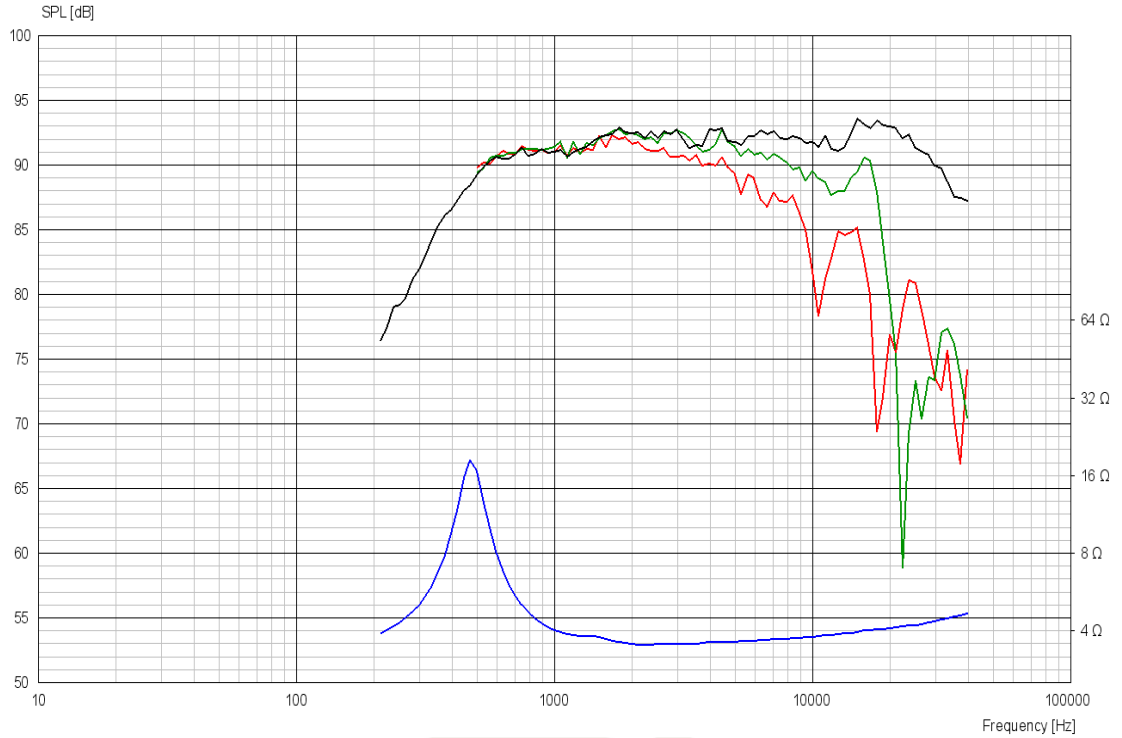
Voice Coil and Magnet Data

| | |
|---------------------|----------|
| Voice coil diameter | 26 mm |
| Voice coil height | 2.1 mm |
| Voice coil layers | 2 |
| Height of gap | 2.5 mm |
| Linear excursion | ± 0.2 mm |
| Max mech. excursion | ± 1.6 mm |
| Unit weight | 0.3 kg |



TWEETER

D3004/660000



Advanced Parameters (Preliminary)



Electrical data:

| | |
|-------------------------------|------------|
| Resistance [$R_{e'}$] | - Ω |
| Free inductance [L_{eB}] | - mH |
| Bound inductance [L_e] | - mH |
| Semi-inductance [K_e] | - SH |
| Shunt resistance [R_{ss}] | - Ω |

Mechanical Data

| | |
|------------------------------------|--------|
| Force Factor [Bl] | - Tm |
| Moving mass [M_{ms}] | - g |
| Compliance [C_{ms}] | - mm/N |
| Mechanical resistance [R_{ms}] | - kg/s |
| Admittance [A_{ms}] | - mm/N |

