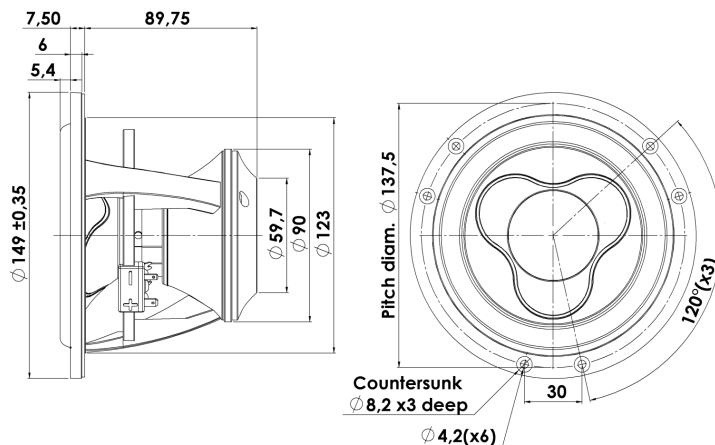




MIDWOOFER

15WU/8741T00

The Illuminator midranges and midwoofers are in every aspect unusual designs with the open construction, the extremely long linear excursion and patented under-hung SD-3 (Symmetrical Drive) neodymium motor system, which due to copper caps and its construction ensures very low distortion, adding the unique patented cones, low-loss linear suspension the result is: "The Very Best Money Can Buy"!



KEY FEATURES:

- Under-Hung Neodymium Motor Design
- Patented Sandwich Paper Cone
- Low-loss linear suspension
- Patented Symmetrical Drive (SD-3)
- Exceptionally Long Linear Excursion
- Patented Design

T-S Parameters

| | |
|-------------------------------|--------------------|
| Resonance frequency [fs] | 35 Hz |
| Mechanical Q factor [Qms] | 3.37 |
| Electrical Q factor [Qes] | 0.28 |
| Total Q factor [Qts] | 0.26 |
| Force factor [Bl] | 7.5 Tm |
| Mechanical resistance [Rms] | 0.80 kg/s |
| Moving mass [Mms] | 12.3 g |
| Suspension compliance [Cms] | 1.68 mm/N |
| Effective diaph. diameter [D] | 108 mm |
| Effective piston area [Sd] | 92 cm ² |
| Equivalent volume [Vas] | 19.9 l |
| Sensitivity (2.83V/1m) | 83.4 dB |
| Ratio Bl/√Re | 3.09 N/√W |
| Ratio fs/Qts | 135 Hz |

Notes:

IEC specs. refer to IEC 60268-5 third edition.
All Scan-Speak products are RoHS compliant.
Data are subject to change without notice.
Datasheet updated: February 22, 2011.

Electrical Data

| | |
|----------------------------|---------|
| Nominal impedance [Zn] | 8 Ω |
| Minimum impedance [Zmin] | 7.9 Ω |
| Maximum impedance [Zo] | 76.9 Ω |
| DC resistance [Re] | 5.9 Ω |
| Voice coil inductance [Le] | 0.41 mH |

Power Handling

| | |
|--------------------------------|-------|
| 100h RMS noise test (IEC 17.1) | 80 W |
| Long-term max power (IEC 17.3) | 150 W |

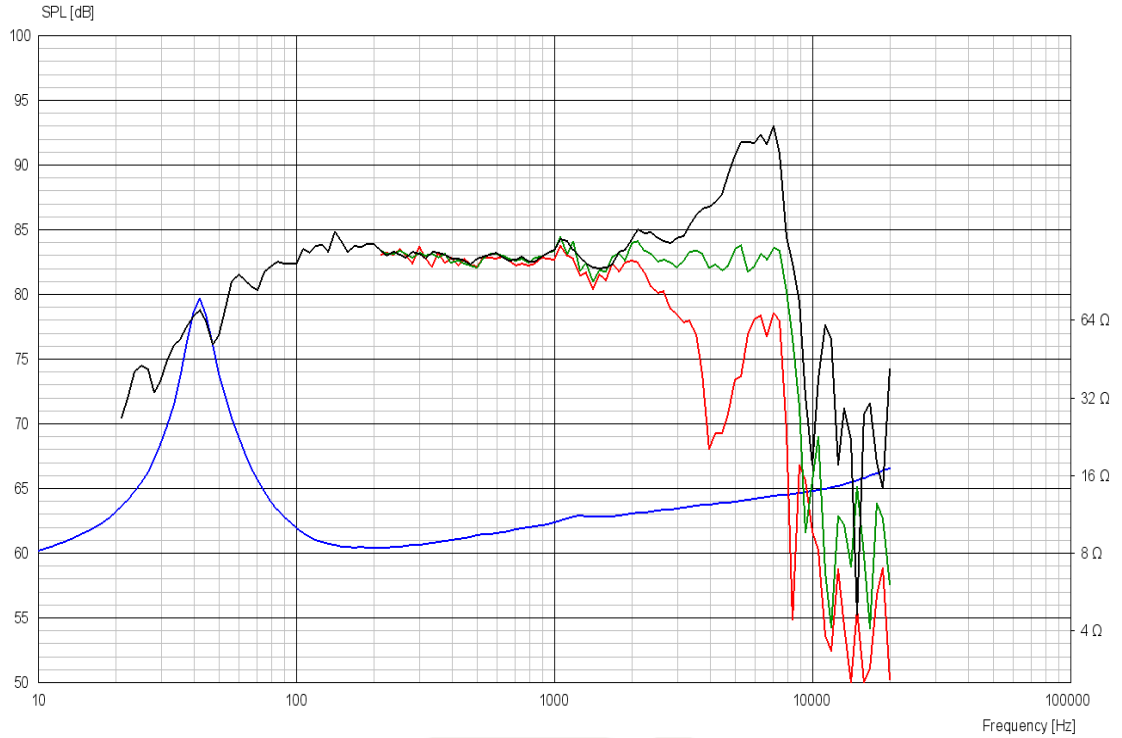
Voice Coil and Magnet Data

| | |
|---------------------|---------|
| Voice coil diameter | 42 mm |
| Voice coil height | 8 mm |
| Voice coil layers | 4 |
| Height of gap | 20 mm |
| Linear excursion | ± 9 mm |
| Max mech. excursion | ± 13 mm |
| Unit weight | 1.7 kg |

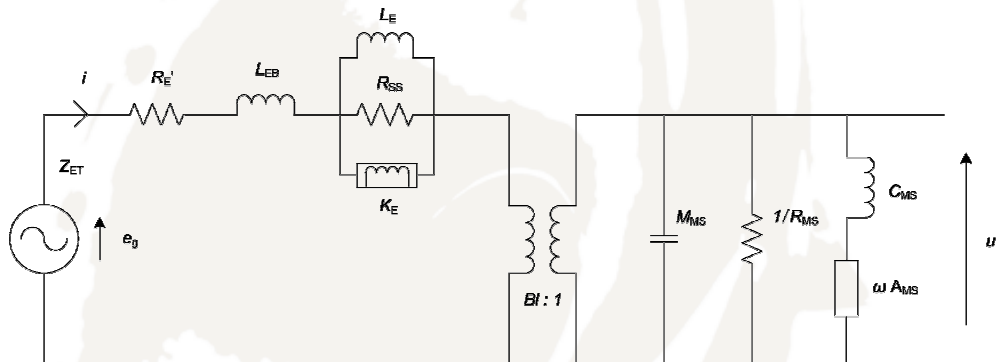


MIDWOOFER

15WU/8741T00



Advanced Parameters (Preliminary)



Electrical data:

| | |
|-------------------------------|---------------|
| Resistance [$R_{e'}$] | 7.15 Ω |
| Free inductance [L_{eB}] | 0.0794 mH |
| Bound inductance [L_e] | 2.55 mH |
| Semi-inductance [K_e] | 0.117 SH |
| Shunt resistance [R_{ss}] | 5.99 Ω |

Mechanical Data

| | |
|------------------------------------|------------|
| Force Factor [Bl] | 6.45 Tm |
| Moving mass [M_{ms}] | 11.5 g |
| Compliance [C_{ms}] | 1.49 mm/N |
| Mechanical resistance [R_{ms}] | 0.128 kg/s |
| Admittance [A_{ms}] | 0.257 mm/N |