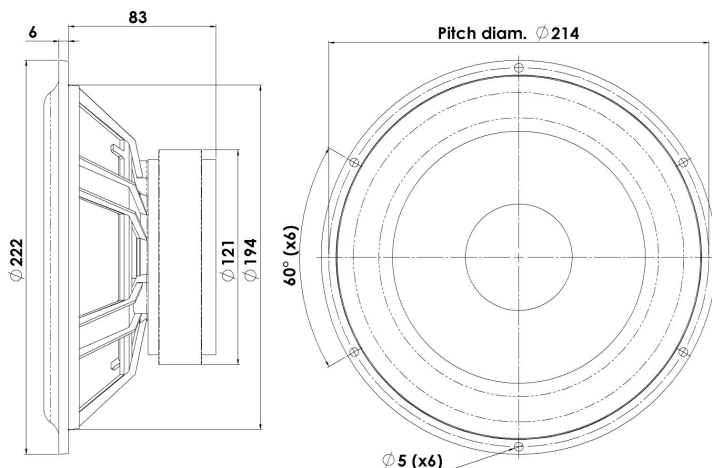




WOOFER

21W/8555-00

The Symmetric Drive (SD-1) concept with copper in the magnet system was invented by Scan-Speak. High-quality magnet system design has thus been a key feature of Scan-Speak design since the companys inception. The Classic woofers are highly praised, and are used in some of the worlds most exceptional high-end loudspeakers. Some feature Kevlar cones, others have the innovative carbon fibre paper cones.



KEY FEATURES:

- Patented Symmetrical Drive Motor Design
- Low-Loss linear suspension
- Low Damping SBR Rubber Surround
- Low Resonance Freq. 20Hz
- Air Dried Paper/Carbon Fibre Cone
- 42mm Voice Coil

T-S Parameters

| | |
|-------------------------------|---------------------|
| Resonance frequency [fs] | 20 Hz |
| Mechanical Q factor [Qms] | 4.50 |
| Electrical Q factor [Qes] | 0.33 |
| Total Q factor [Qts] | 0.31 |
| Force factor [Bl] | 8.2 Tm |
| Mechanical resistance [Rms] | 0.89 kg/s |
| Moving mass [Mms] | 32 g |
| Compliance [Cms] | 1.98 mm/N |
| Effective diaph. diameter [D] | 167 mm |
| Effective piston area [Sd] | 220 cm ² |
| Equivalent volume [Vas] | 134 l |
| Sensitivity (2.83V/1m) | 87 dB |
| Ratio Bl/√Re | 3.50 N/√W |
| Ratio fs/Qts | 65 Hz |

Notes:

IEC specs. refer to IEC 60268-5 third edition.
All Scan-Speak products are RoHS compliant.
Data are subject to change without notice.
Datasheet updated: March 6, 2013.

Electrical Data

| | |
|----------------------------|--------|
| Nominal impedance [Zn] | 8 Ω |
| Minimum impedance [Zmin] | 6.4 Ω |
| Maximum impedance [Zo] | 80.5 Ω |
| DC resistance [Re] | 5.5 Ω |
| Voice coil inductance [Le] | 0.4 mH |

Power Handling

| | |
|--------------------------------|-------|
| 100h RMS noise test (IEC 17.1) | 100 W |
| Long-term max power (IEC 17.3) | - W |

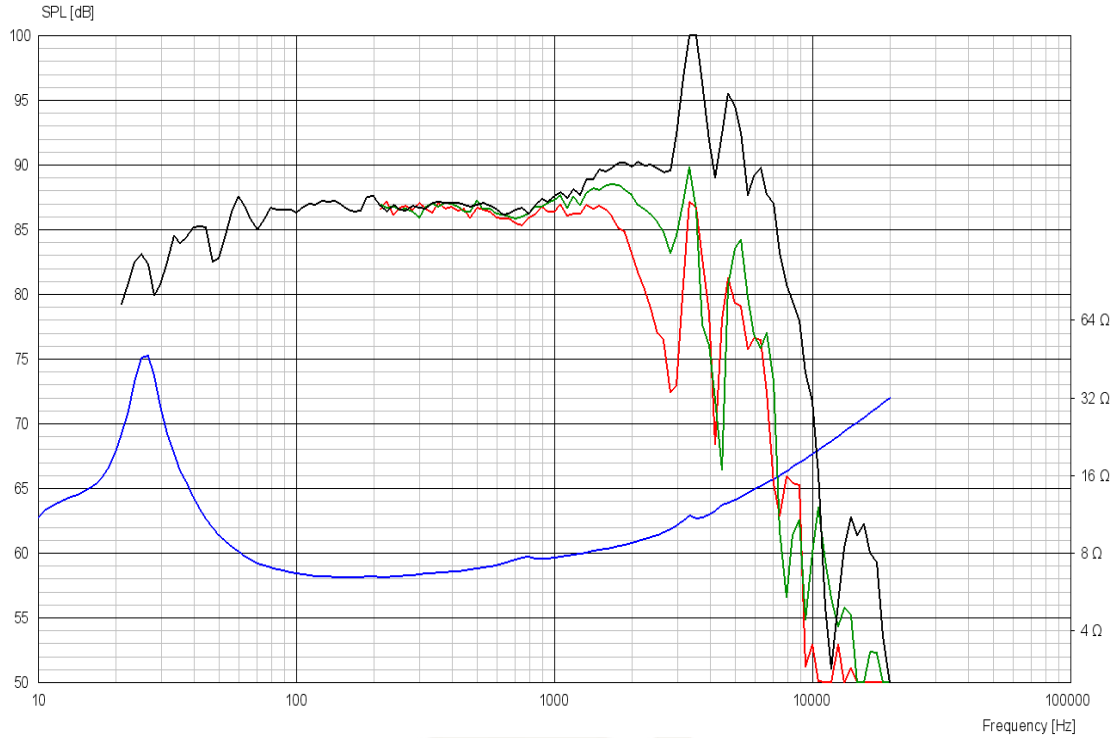
Voice Coil & Magnet Data

| | |
|---------------------|----------|
| Voice coil diameter | 42 mm |
| Voice coil height | 19 mm |
| Voice coil layers | 2 |
| Height of gap | 6 mm |
| Linear excursion | ± 6.5 mm |
| Max mech. excursion | ± 12 mm |
| Unit weight | 2.2 kg |

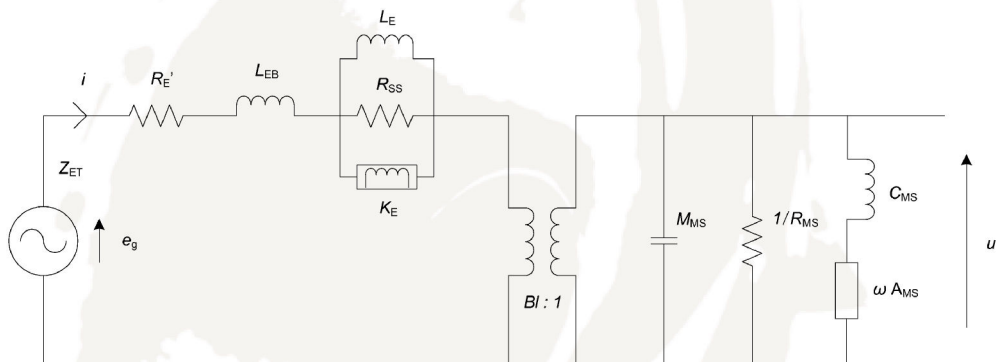


WOOFER

21W/8555-00



Advanced Parameters (Preliminary)



Electrical data

| | |
|------------------------|----------|
| Resistance [Re'] | 5.58 Ω |
| Free inductance [Leb] | 0.158 mH |
| Bound inductance [Le] | 2.04 mH |
| Semi-inductance [Ke] | 0.033 SH |
| Shunt resistance [Rss] | 101 Ω |

Mechanical Data

| | |
|-----------------------------|-----------|
| Force Factor [Bl] | 7.81 Tm |
| Moving mass [Mms] | 33.9 g |
| Compliance [Cms] | 1.22 mm/N |
| Mechanical resistance [Rms] | 0.70 kg/s |
| Admittance [Ams] | 0.09 mm/N |