

SPECIFICATIONS

PR182BD02 7" die cast, alu cone passive radiator

The 7" passive radiator PR182BD02 was designed for high performance compact subwoofer applications. Optimized for working with the active 7" subwoofers SW182BD03 and SW182BD04 but will function well with any suitable active subwoofer transducers.



FEATURES

- Improved suspension (symmetry and stability)
- Very rigid black aluminium cone to ensure piston motion at high levels
- Rigid die cast alu chassis with extensive venting for lower air flow speed reducing audible distortion
- Low-loss suspension (high Qm) for better reproduction of details and dynamics
- Conex spider for better durability under extreme conditions
- Custom tunable by adding one or more of the three extra weights (included)

NOMINAL SPECIFICATIONS

Notes	Parameter	Before burn-in	After burn-in	Unit
	Nominal size	7		[inch.]
	Effective radiating area, S _d	131		[cm ²]
1	Resonance frequency (free air, no baffle), F _s - without additional mass - with additional 10 g mass - with additional 20 g mass - with additional 30 g mass - with additional 40 g mass - with additional 50 g mass - with additional 60 g mass - with additional 70 g mass	36.2 32.2 29.2 26.9 25.1 23.6 22.4 21.3		[Hz]
2	Moving mass, incl. air (free air, no baffle), M _{ms} , without extra weights	37		[g]
1	Suspension compliance, C _{ms}	0.52		[mm/N]
1	Equivalent air volume, V _{as}	12.7		[lit.]
1	Mechanical Q, Q _{ms} - without additional mass - with additional 10 g mass - with additional 20 g mass - with additional 30 g mass - with additional 40 g mass - with additional 50 g mass - with additional 60 g mass - with additional 70 g mass	32.5 36.6 40.3 43.7 46.8 49.8 52.6 55.2		[-]
	Maximum cone travel, mechanical limits, X _{max}	±15		
	Total unit net weight excl. packaging	0.38		[kg]

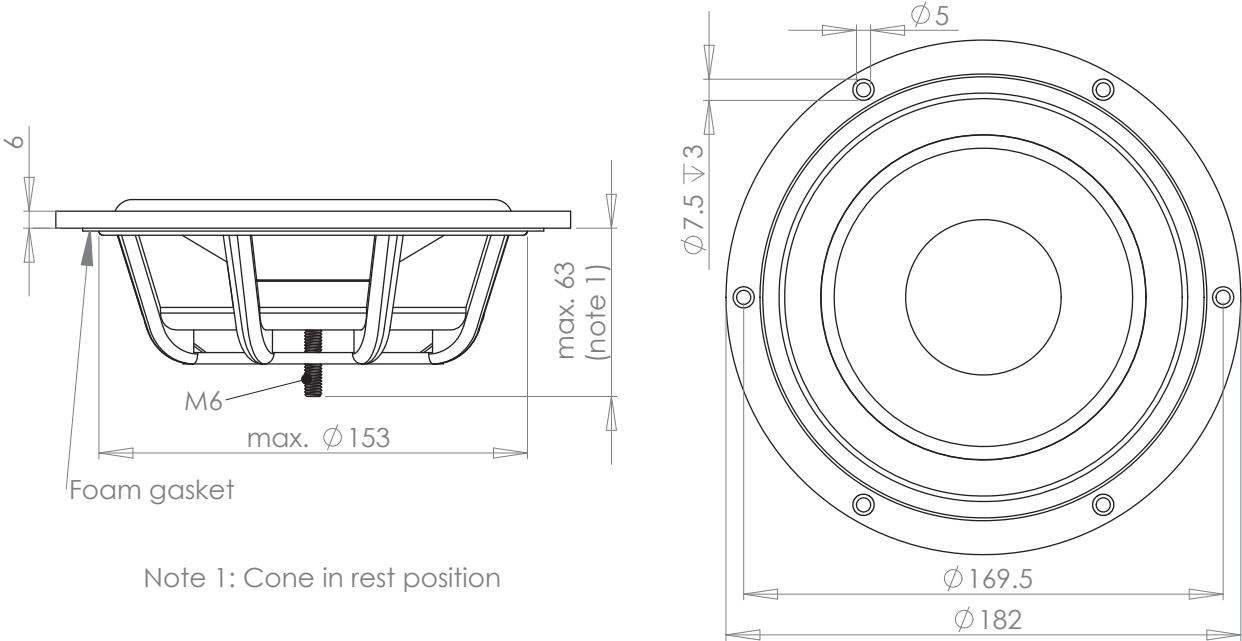
Note 1 The unit is not burned in before shipping.

Note 2 The moving mass may be increased in 10 g steps up to a maximum of +70 g by adding one or more of the three extra weights that are included with the unit.

SPECIFICATIONS

PR182BD02 7" die cast, alu cone passive radiator

OUTLINE DRAWING (nominal dimensions), mm



Note 1: Cone in rest position

PACKAGING AND ORDERING INFORMATION

Part no. PR182BD02-01	Individual packaging (one piece per box), incl. 3 separate weights
-----------------------	--

Latest update: Nov. 9, 2015